

# niglon

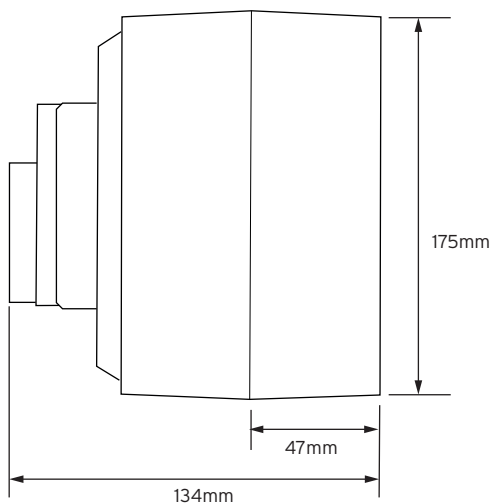
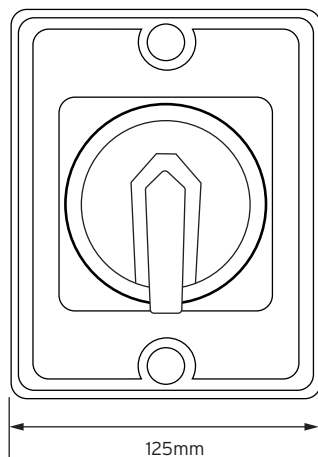
Industrial Accessories

## IS634

### IP65 Isolator 4 Pole



#### Technical Drawing



#### Technical Specifications

Max Cable	16mm <sup>2</sup>
Resistive Switching	63A
20mm Knock-outs	Up to 40A / 25mm on 63 to 125A
Switch Ratings	AC021 20-80 A AC-22 100 & 125A
Standards	IEC & EN 60947-3 CB, CE, SEMKO, UL508
IP Rating	IP65
Dimensions	175 H x 125 W x 90/134mm D
Extras	Padlockable for added security